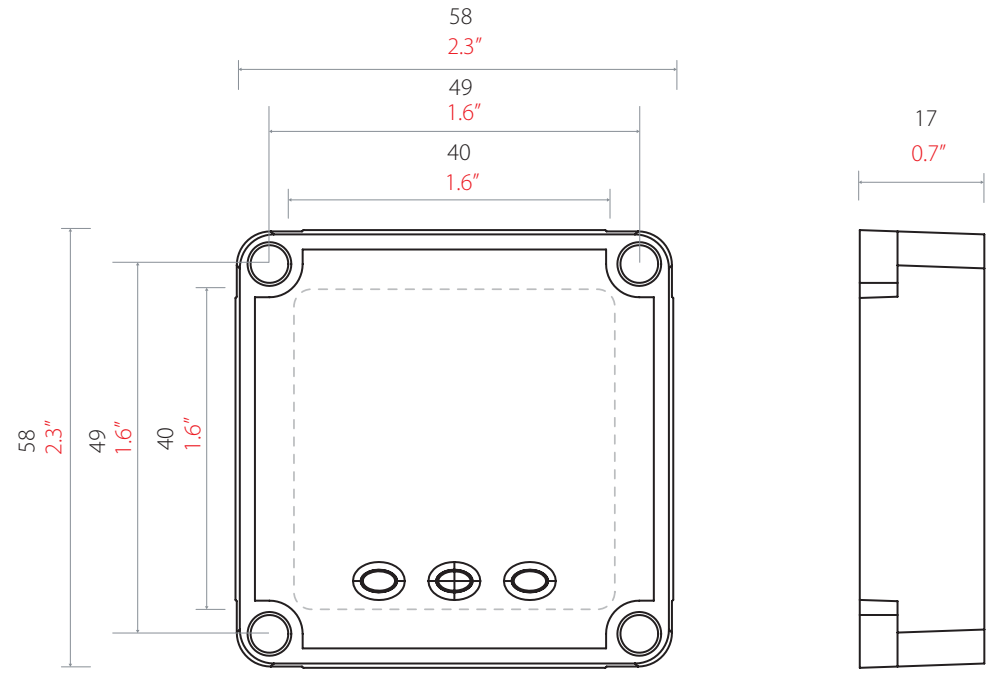


1	2	3	4	5	6	7	8	9	10	11	12
REV.	DESCRIPTION		DATE								



PROPRIETARY AND CONFIDENTIAL
 THE INFORMATION CONTAINED IN THIS DRAWING IS THE SOLE PROPERTY OF
 PAXTON ACCESS LTD.
 ANY REPRODUCTION IN PART OR AS A WHOLE WITHOUT THE EXPRESS PERMISSION OF
 PAXTON ACCESS LTD IS PROHIBITED.

©2014

Please note: Check the correct scale of print-outs as your printer may cause inaccuracies

 <small>Paxton House, Home Farm Road, Brighton, United Kingdom BN1 9RJ +44 1273 811011</small>	DWG NO:	Issue A
	<small>MATERIAL SPECIFICATION:</small> DEFINED BY PAXTON ACCESS MATERIAL SPECIFICATION DOCUMENT	TITLE: PROXIMITY panel mount reader scale drawing
<small>UNLESS OTHERWISE SPECIFIED:</small> X = ± 0.500000 X.X = ± 0.200000 X.XX = ± 0.100000 ANGULAR TOL: ±1°	DRAWN: M.Lilley	A4
mm inches	SCALE: 1:1	SHEET 1 OF 1