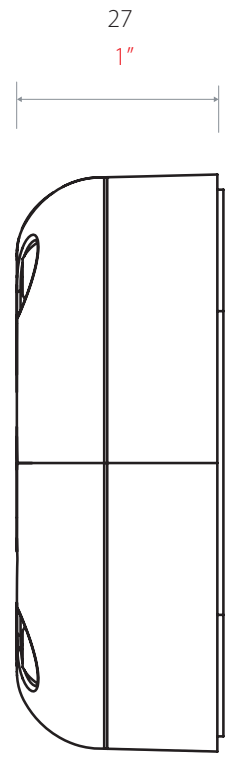
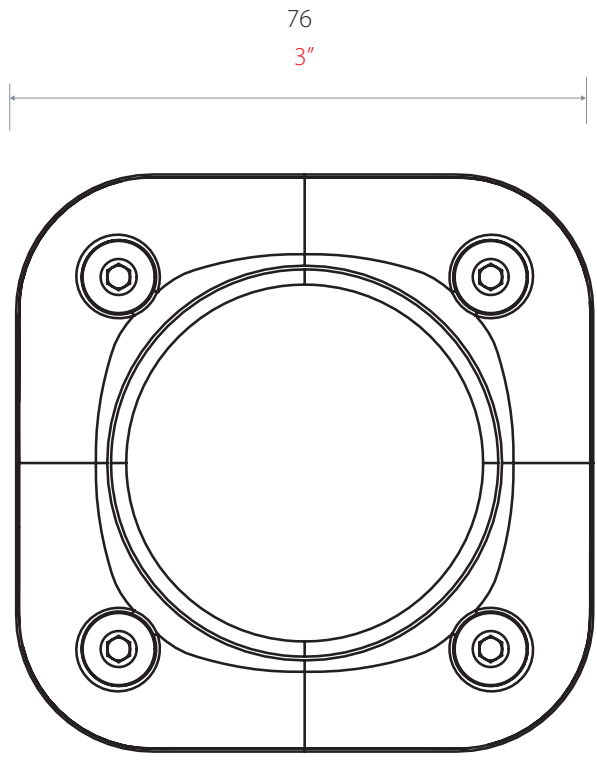


1	2	3	4	5	6	7	8	9	10	11	12
REV.	DESCRIPTION		DATE								



76
3"

76
3"

27
1"

PROPRIETARY AND CONFIDENTIAL
 THE INFORMATION CONTAINED IN THIS DRAWING IS THE SOLE PROPERTY OF
 PAXTON ACCESS LTD.
 ANY REPRODUCTION IN PART OR AS A WHOLE WITHOUT THE EXPRESS PERMISSION OF
 PAXTON ACCESS LTD IS PROHIBITED.

©2014

Please note: Check the correct scale of print-outs as your printer may cause inaccuracies

 <small>Paxton House, Home Farm Road, Brighton, United Kingdom BN1 9RJ +44 1273 811011</small>	DWG NO:	Issue A
	MATERIAL SPECIFICATION: <small>DEFINED BY PAXTON ACCESS MATERIAL SPECIFICATION DOCUMENT</small>	TITLE: PROXIMITY metal reader scale drawing
mm inches	UNLESS OTHERWISE SPECIFIED: X = ± 0.500000 X.X = ± 0.200000 X.XX = ± 0.100000 ANGULAR TOL: ±1°	DRAWN: M.Lilley
SCALE: 1:1		SHEET 1 OF 1

A4