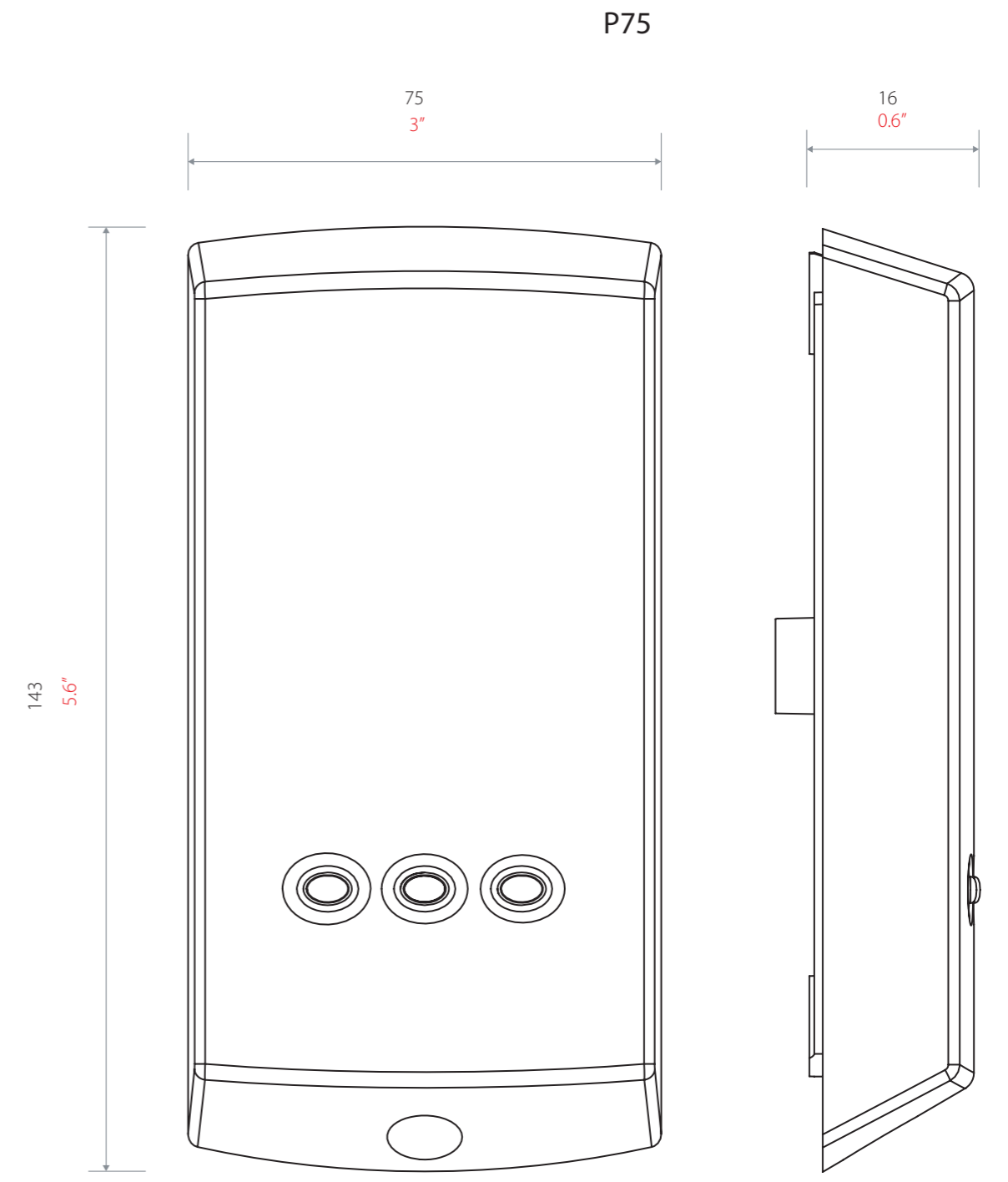
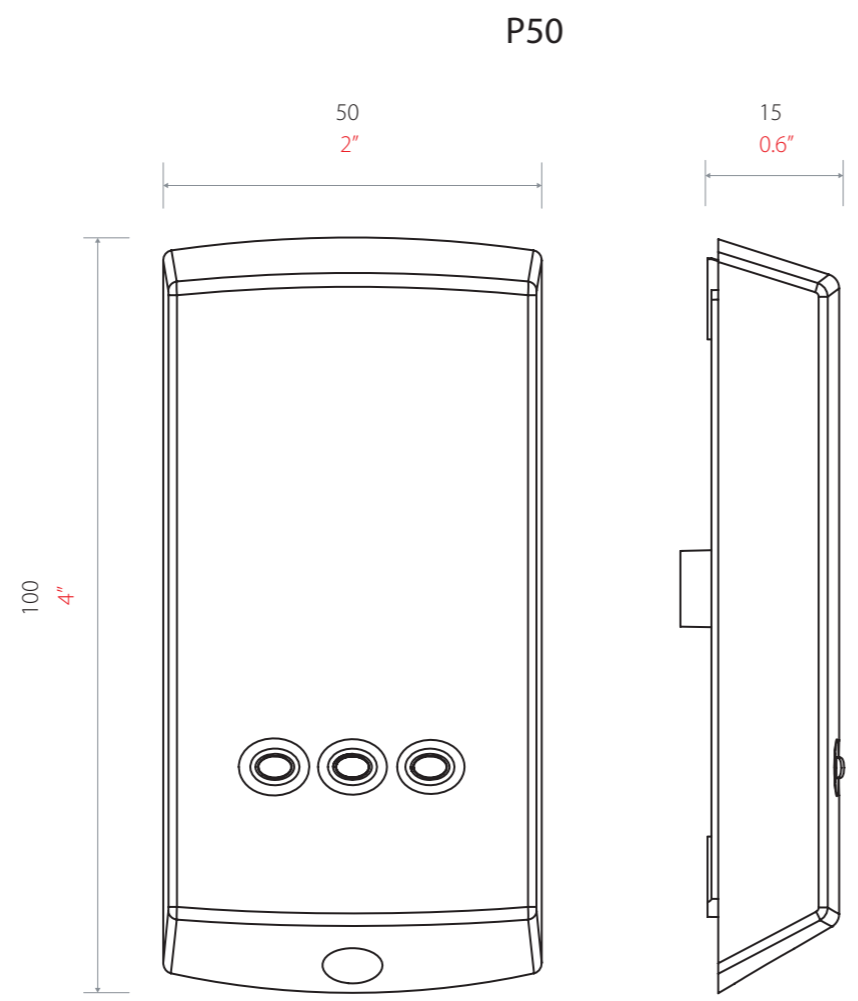
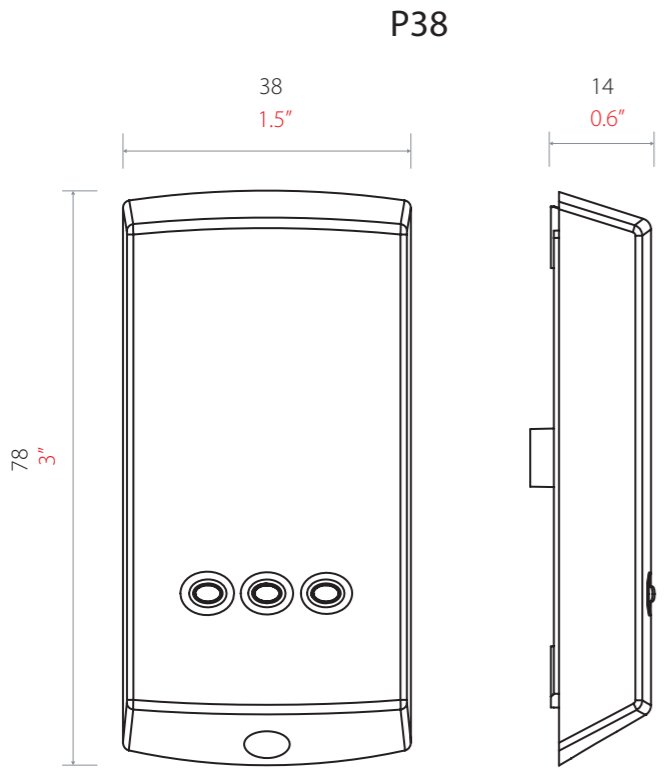


1	2	3	4	5	6	7	8	9	10	11	12
REV.	DESCRIPTION		DATE								



PROPRIETARY AND CONFIDENTIAL  
 THE INFORMATION CONTAINED IN THIS DRAWING IS THE SOLE PROPERTY OF  
 PAXTON ACCESS LTD.  
 ANY REPRODUCTION IN PART OR AS A WHOLE WITHOUT THE EXPRESS PERMISSION OF  
 PAXTON ACCESS LTD IS PROHIBITED.  
 ©2014

Please note: Check the correct scale of print-outs as your printer may cause inaccuracies

	DWG NO:	Issue <b>A</b>
	Paxton House Home Farm Road, Brighton, United Kingdom BN1 9HU +44 1273 811011	MATERIAL SPECIFICATION:  DEFINED BY PAXTON ACCESS MATERIAL SPECIFICATION DOCUMENT
mm inches	UNLESS OTHERWISE SPECIFIED: X = ± 0.500000 X.X = ± 0.200000 X.XX = ± 0.100000 ANGULAR TOL ±1°	DRAWN: <b>M.Lilley</b>
SCALE: 1:1		SHEET 1 OF 1

**A3**