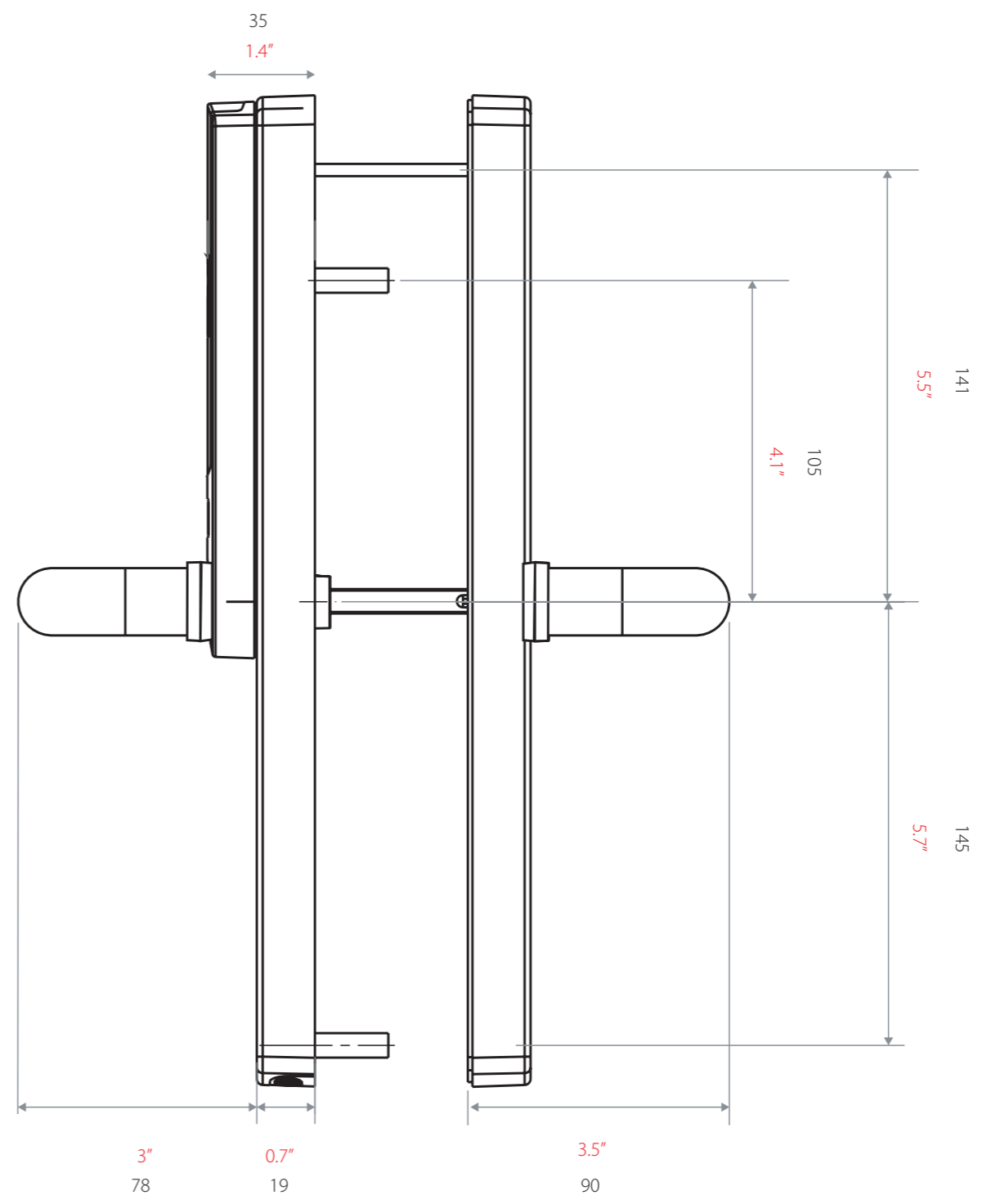
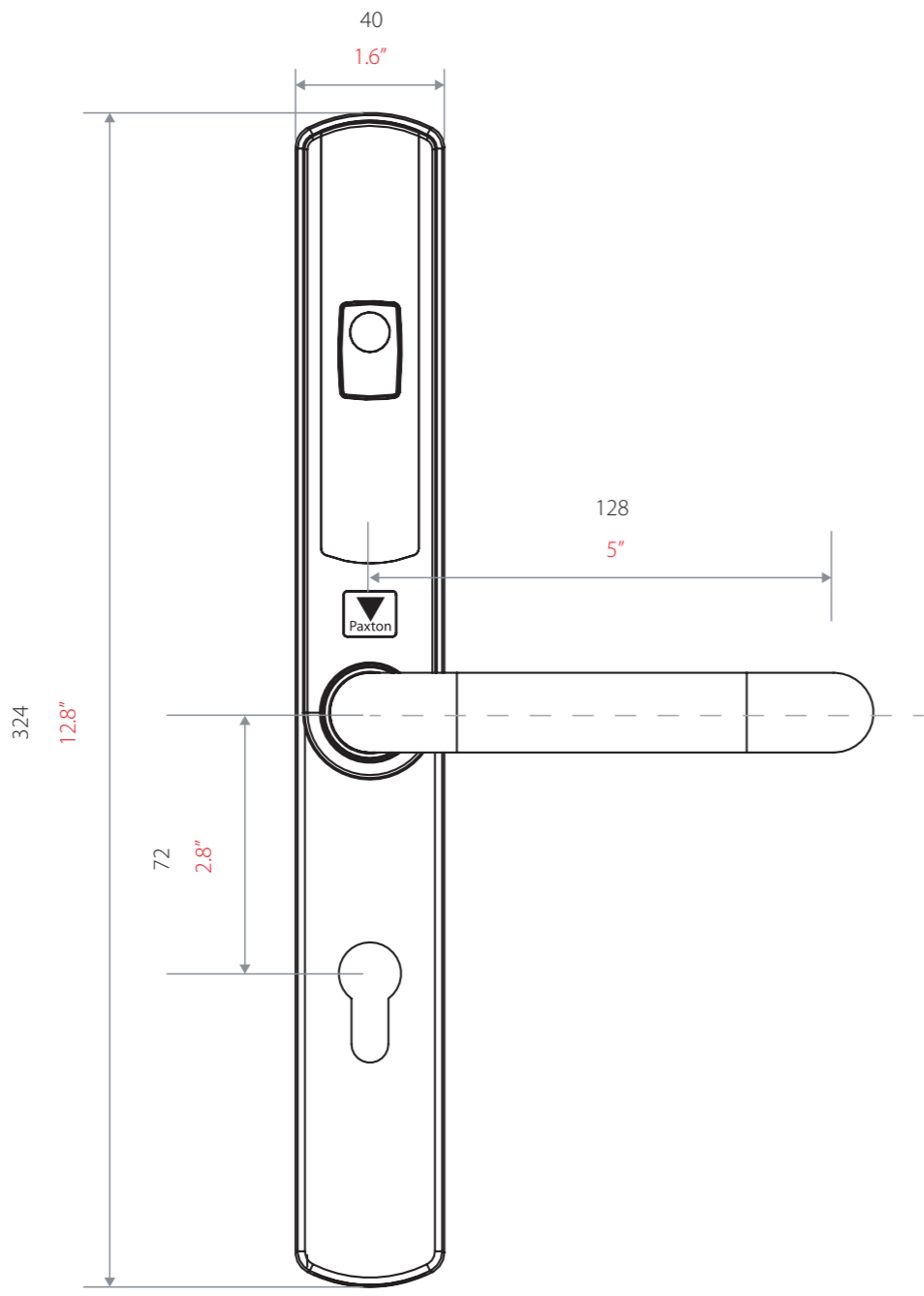


1	2	3	4	5	6	7	8	9	10	11	12
REV.	DESCRIPTION		DATE								



PROPRIETARY AND CONFIDENTIAL
 THE INFORMATION CONTAINED IN THIS DRAWING IS THE SOLE PROPERTY OF PAXTON ACCESS LTD.
 ANY REPRODUCTION IN PART OR AS A WHOLE WITHOUT THE EXPRESS PERMISSION OF PAXTON ACCESS LTD IS PROHIBITED.
 ©2014

Please note: Check the correct scale of print-outs as your printer may cause inaccuracies

<p>Paxton House Home Farm Road, Brighton, United Kingdom BN1 9HU +44 1273 811011</p>	DWG NO:	Issue C	
	MATERIAL SPECIFICATION: DEFINED BY PAXTON ACCESS MATERIAL SPECIFICATION DOCUMENT	TITLE: Net2 PaxLock scale drawing	
mm inches	UNLESS OTHERWISE SPECIFIED: X = ± 0.500000 X.X = ± 0.200000 X.XX = ± 0.100000 ANGULAR TOL ±1°	DRAWN: M.Lilley	A3
SCALE: 1:3		SHEET 1 OF 1	