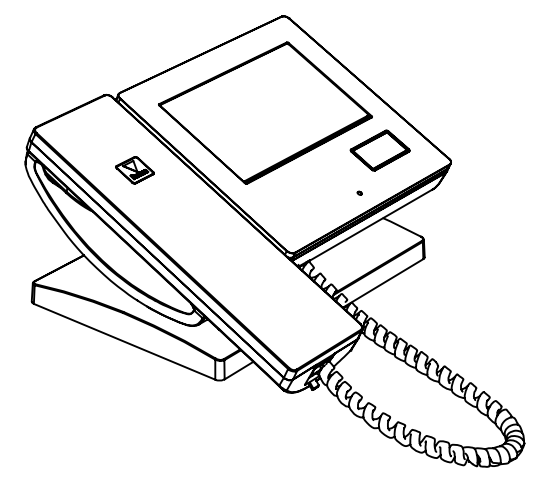
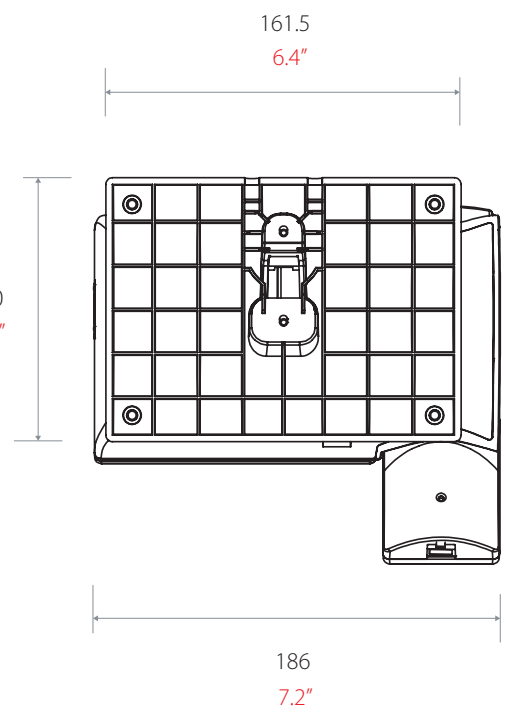
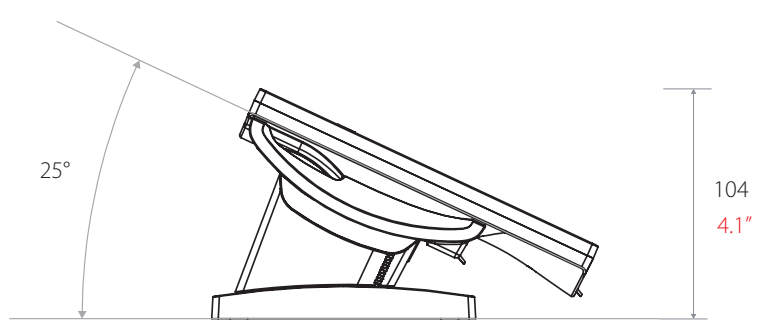


1	2	3	4	5	6	7	8	9	10	11	12
REV.	DESCRIPTION		DATE								



PROPRIETARY AND CONFIDENTIAL
 THE INFORMATION CONTAINED IN THIS DRAWING IS THE SOLE PROPERTY OF PAXTON ACCESS LTD.
 ANY REPRODUCTION IN PART OR AS A WHOLE WITHOUT THE EXPRESS PERMISSION OF PAXTON ACCESS LTD IS PROHIBITED.

©2014

Please note: Check the correct scale of print-outs as your printer may cause inaccuracies

		DWG NO:	Issue
<small>Paxton House, Home Farm Road, Brighton, United Kingdom BN1 9RJ +44 1273 811011</small>		MATERIAL SPECIFICATION:	TITLE: Net2 Entry Monitor, Scale Drawing (desk mounted)
<small>DEFINED BY PAXTON ACCESS MATERIAL SPECIFICATION DOCUMENT</small>		<small>UNLESS OTHERWISE SPECIFIED: X = ± 0.500000 X.X = ± 0.200000 X.XX = ± 0.100000 ANGULAR TOL: ±1°</small>	DRAWN: M.Lilley
mm inches		SCALE: 1:3	A4 SHEET 1 OF 1